

FROZEN MEAT CUTTERS

CUTTING TO THE OPTIMUM SIZE FOR EFFICIENT FURTHER PROCESSING

G 530
G 740

GS 510
GFS 620



APPLICATIONS OF THE LASKA FROZEN MEAT CUTTERS

LASKA frozen meat cutters are highly regarded for their cutting performance and low energy consumption. LASKA customers use frozen meat cutters for the following products:

- › **Meat**
- › **Fat**
- › **Fish**
- › **Vegetables**
- › **Fruit**
- And much more ...

STRENGTHS AND BENEFITS

LASKA frozen meat cutters process frozen meat and other frozen food of a temperature down to -25 °C. The infinitely variable lifting height of the cutting bar of the guillotine ensures the highest possible cutting performance of the machine due to customized adaptation to the product size. Applying comparatively low force, the LASKA frozen meat cutters are very gentle on the material. This also has a beneficial effect on the machine, which is not strained needlessly, thus ensuring it becomes a long-term partner and an attractive investment.

QUALITY PROVEN IN USE

Just like all other LASKA machines, the frozen meat cutters are made of solid stainless materials. They meet strict hygienic requirements and are easy to clean. The design allows for harsh operating conditions and provides easy and safe operation as well as good access for servicing.



DESIGN

- › Compact and space-saving design with integrated control box
- › Long service life and proven cost benefits
- › Height adjustable machine feet
- › Attractive, elegant design
- › Closed base plate for silent operation

PRODUCTION

- › Gentle cutting of frozen meat blocks
- › High output
- › No loss of quality caused by poor block handling
- › Continuous feeding for higher performance
- › Loading arm / loading platform also suitable as unpacking area
- › Processing even of larger and spherical frozen meat blocks

LASKA FROZEN MEAT CUTTERS

YOUR BENEFITS AT A GLANCE

SERVICE AND MAINTENANCE

- › Minimum maintenance required due to proven, field-tested machine concept
- › Easily accessible inspection doors
- › Worldwide service network and competent local support on all continents

OPERATION

- › Easy handling and user-friendly, robust operating elements
- › Push-button control and/or control panel with finger touch control panel and plain text display
- › Adjustable cutting size and infinitely variable cutting height in case of guillotines

ELECTRICAL EQUIPMENT

- › Low current consumption due to optimized drive and control technology
- › Built-in control box for longer service life

HYGIENE AND SAFETY

- › Closed base plate prevents contamination and dust in the interior
- › Polished surfaces for the highest possible hygienic standard
- › Safety devices for optimum working safety



Frozen meat cutter G 740

MACHINE TYPES

THE VERSATILE LASKA PRODUCT RANGE



FEATURES OF GUILLOTINE-TYPE FROZEN MEAT CUTTERS G 530 / G 740

- › For frozen meat blocks up to a max. (width x height) of 520 x 300 mm (G 530) and/or 700 x 400 mm (G 740)
- › High hourly rate and short cutting time due to infinitely variable lifting height of the knife bar
- › Continuous loading results in higher performance
- › Robust machine with long-term cost benefits



APPLICATION OF GUILLOTINE-TYPE FROZEN MEAT CUTTERS G 530 / G 740

- › Gentle processing of the material to be cut (especially for raw sausage)
- › Processing temperature down to -25 °C
- › Cutting size adjustable from 27 to 64 mm
- › Smaller pieces possible due to optional cross-cutting drum
- › Due to a hydraulic block clamping device, round or spherical blocks can be processed perfectly



FEATURES OF FROZEN MEAT CUTTERS WITH CUTTING DRUMS GFS 620

- › Equipped with cutting teeth
- › For frozen meat blocks up to a max. of 600 x 380 mm (width x height)
- › High hourly rate due to continuous loading and powerful drive
- › Drive designed for very heavy duty application
- › Robust machine with long-term cost benefits



APPLICATION OF FROZEN MEAT CUTTERS WITH CUTTING DRUMS GFS 620

- › Gentle processing of the material to be cut
- › Processing temperature down to -25 °C
- › Cutting size: 35 mm
- › Due to the double-drum cutting system, round or spherical blocks can be processed perfectly



APPLICATION OF FROZEN MEAT CUTTERS WITH CUTTING DRUMS GS 510

- › Equipped with bow knives
- › For frozen meat blocks up to a max. of 500 x 300 mm (width x height)
- › High hourly rate due to continuous loading and powerful drive
- › Drive designed for very heavy duty application
- › Robust machine with long-term cost benefits



APPLICATION OF FROZEN MEAT CUTTERS WITH CUTTING DRUMS GS 510

- › Gentle processing of the material to be cut
- › Processing temperature down to -15 °C
- › Cutting size GS 510: 25 mm
- › Due to the double-drum cutting system, round or spherical blocks can be processed perfectly

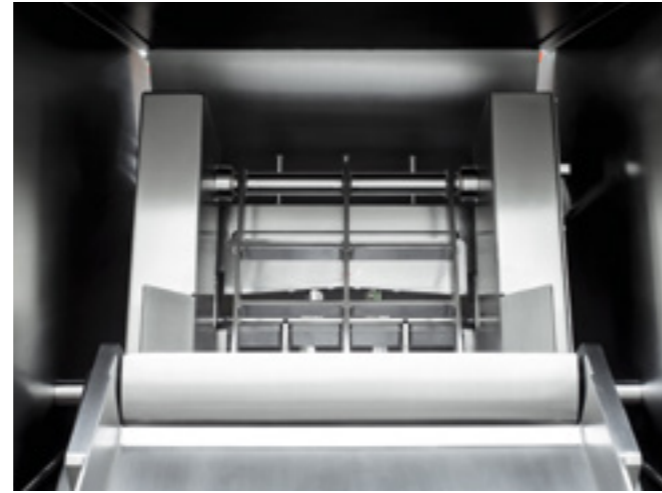
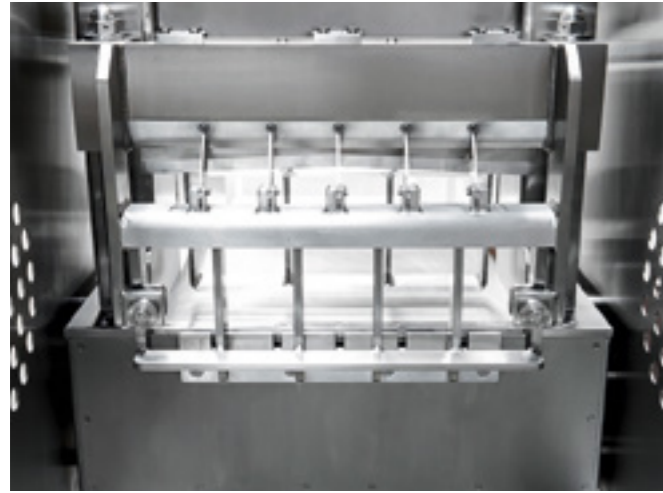


Frozen meat cutter G 530



EQUIPMENT

FOR YOUR GUILLOTINE-TYPE FROZEN MEAT CUTTER



CUTTING BAR

- › Hydraulically driven
- › Damped reversing of knife stroke prevents hard impacts and overstraining of the machine
- › Infinitely variable knife stroke adjustable via control panel at the level of the blocks provides for shorter cutting time
- › Exchangeable, two-part guillotine knife
- › Optional cross cutting drum for smaller pieces

BLOCK CLAMPING DEVICE

- › Fixes blocks automatically during the cutting process
- › Prevents escaping of the blocks
- › Special advantage with round, spherical frozen meat blocks
- › Permanent synchronous movement of block clamping device and cutting bar
- › Hydraulically driven



DRIVE

- › Drive elements in closed machine housing
- › Hydraulic drive
- › Machine can be switched on only with the standard transport trolley being in the right position
- › Low current consumption due to optimized control and drive technology
- › Subdued operating noise

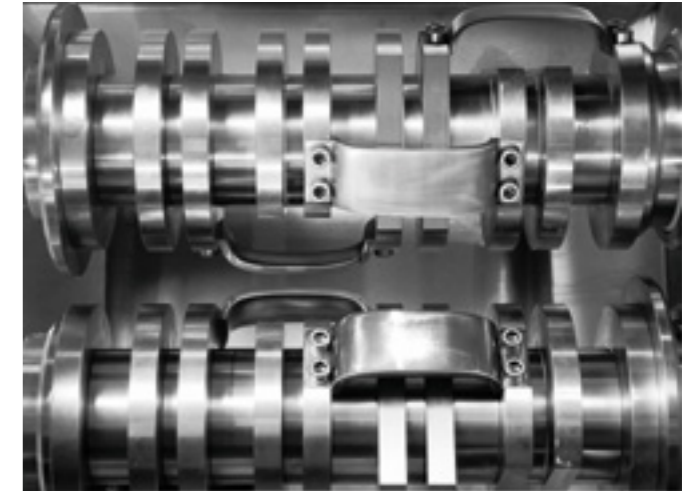
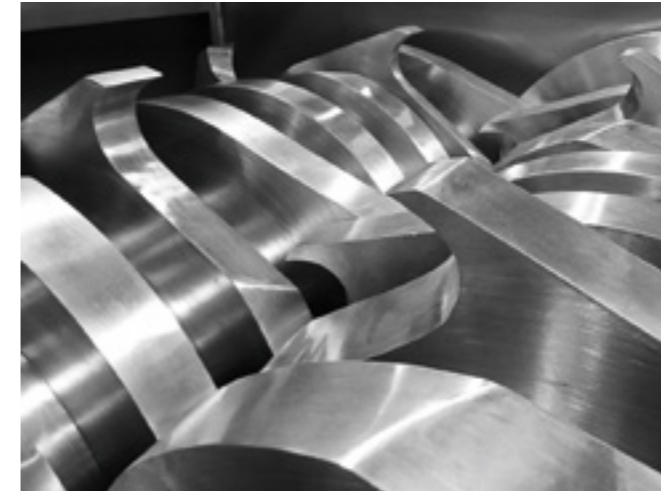


ELECTRICAL EQUIPMENT

- › Built-in control box and main motor
- › Robust and powerful unit with motor circuit breaker
- › Programmable logic controller with microprocessors
- › Easy to operate due to clearly arranged control system

EQUIPMENT

FOR YOUR FROZEN MEAT CUTTER WITH DRUM KNIVES

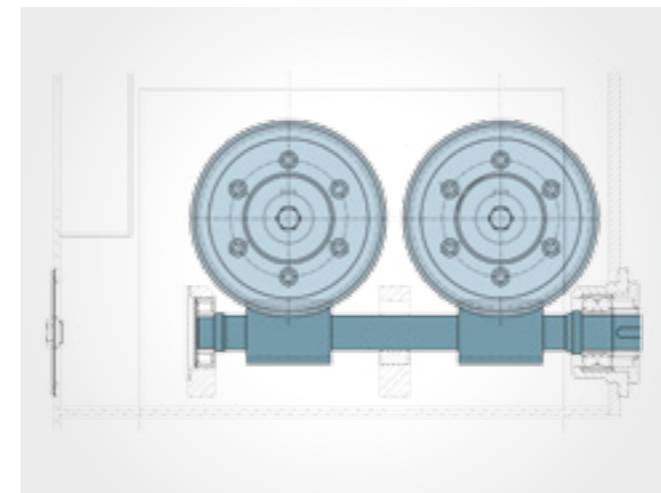


DIFFERENCES IN CUTTING DRUM

- › Particularly suitable for standardization, for sections approx. 38 (optional 30) x 40 x 80 mm in size
- › Two counter-rotating cutting drum prevent escaping of the blocks
- › Special advantage with round, spherical frozen meat blocks
- › Regrinding of cutting teeth not necessary

BOW KNIVES G 510

- › Particularly suitable for the production of raw sausage to prevent pulling out of sinews and tendons
- › For palm-sized sections 25 mm in thickness
- › Two counter-rotating cutting drum prevent escaping of the blocks
- › Special advantage with round, spherical frozen meat blocks
- › Regrinding of bow knives: approx. every 3 years



DRIVE

- › Worm gear pair in oil bath for very heavy duty
- › Safety devices prevent overloading and reduce damage caused by foreign matter penetrating into the cutting area
- › Drive elements in closed machine housing
- › Machine can be switched on only with the standard transport trolley being in the right position
- › Low current consumption due to optimized control and drive technology



ELECTRICAL EQUIPMENT

- › Built-in control box and main motor
- › Robust and powerful unit with motor circuit breaker
- › Easy to operate due to clearly arranged control system



OPTIONS FOR YOUR LASKA FROZEN MEAT CUTTER



LOADING ROCKER

G 530 standard – GS 510, GFS 620 optional

- › Stainless, hydraulic
- › Easy to operate
- › Also acts as a very convenient unpacking area



LOADING PLATFORM

G 740 standard

- › Stainless, hydraulic
- › Easy to operate
- › Horizontal, open platform facilitates placement of frozen meat blocks
- › Also provides a very convenient unpacking area
- › Platform size: 1000 x 820 mm



INCLINED BELT CONVEYOR

- › Stainless steel
- › Incl. trip tray and collection pan
- › Side guides on both sides, foldable for cleaning
- › Frame height adjustable +/- 75 mm with 4 lockable castors
- › Auxiliary equipment: sensor control via light barriers for optimum filling



METAL DETECTOR

- › To detect metallic foreign matter
- › Conveyor belt running forward and backward
- › Visual and acoustic warning signal

THAT'S WHAT OUR CUSTOMERS SAY ABOUT THEIR LASKA FROZEN MEAT CUTTER



PERUTNINA PTUJ
SLOVENIA

“Food industry is technologically a complex and very demanding industrial branch. Thereof we are taking into account and giving a large importance to the reliability of our partners in the implementation of technological equipment. LASKA is in this regard a constant. We are cooperating with LASKA since 1989 and have with its help built our food concern.

From the very first cutting machine forward, the decision on modernization and implementation of our technological lines has been clear. We will be choosing LASKA. Reliability, high quality, and additional value on the side of our customers are just a few very important reasons for our choice.”

MR. GLASER
CHIEF EXECUTIVE OFFICER

DELIKA A/S
DENMARK

„Since 2011 we are producing salami with our LASKA frozen meat cutter and are very satisfied for the following reasons:

The machine is made so strong, that it cuts the meat directly from the freezer at over -20 degrees with no problems. Also the cut of the meat is very nice and we never have problems with the meat block getting stuck in the machine. The lifting device is perfect for the operator and the fact that the operator can load more than one block into the machine saves us a lot of time.

We decided to buy a Laska machine not only because of the significant heavy weight of the machine, but also because of the great reputation LASKA's frozen meat cutters and the company have in Denmark.”

MR. HANSEN
OWNER

TECHNICAL DATA

PERFORMANCE LIST

PERFORMANCE CHARACTERISTICS

| TYPE | | GS 510 | GFS 620 | G 530 | G 740 |
|---|--------------------|---------------|---------------|---------------------|------------|
| Block cross section (width x length) | mm | 500 x 300 | 600 x 380 | 520 x 300 | 700 x 400 |
| Processing temperature | ° C | to - 15 | to - 20 | to - 25 | to - 25 |
| Size of pieces / cutting thickness | mm | 130 x 80 x 25 | 80 x 40 x 35 | 28 - 60 | 27 - 64 |
| Type of cutting | | bow knives | cutting teeth | guillotine | guillotine |
| Motor rating | KW | 18,5 | 30 | 4 | 15 |
| Fuse | A | 50 | 63 | 25 | 50 |
| Supply cable | mm ² CU | 10 | 16 | 4 | 10 |
| Speed | rpm | 50 | 50 | – | – |
| Loading rocker | | o | o | • | – |
| Loading platform | | – | – | – | o |
| Cross cutting drum | | | | o 2 and/or 5 pieces | o 5 pieces |
| Conveyor belt loading | | o | o | o | o |
| Sensor control (for conveyor belt loading) | | o | o | o | o |
| Metal detector (for conveyor belt loading) | | o | o | o | o |
| Cleaning system (for conveyor belt loading) | | o | o | o | o |
| Infinitely variable rate of feed (for conveyor belt loading) | | o | o | o | o |

CAPTION

| | |
|---|---------------|
| • | standard |
| o | option |
| – | not available |

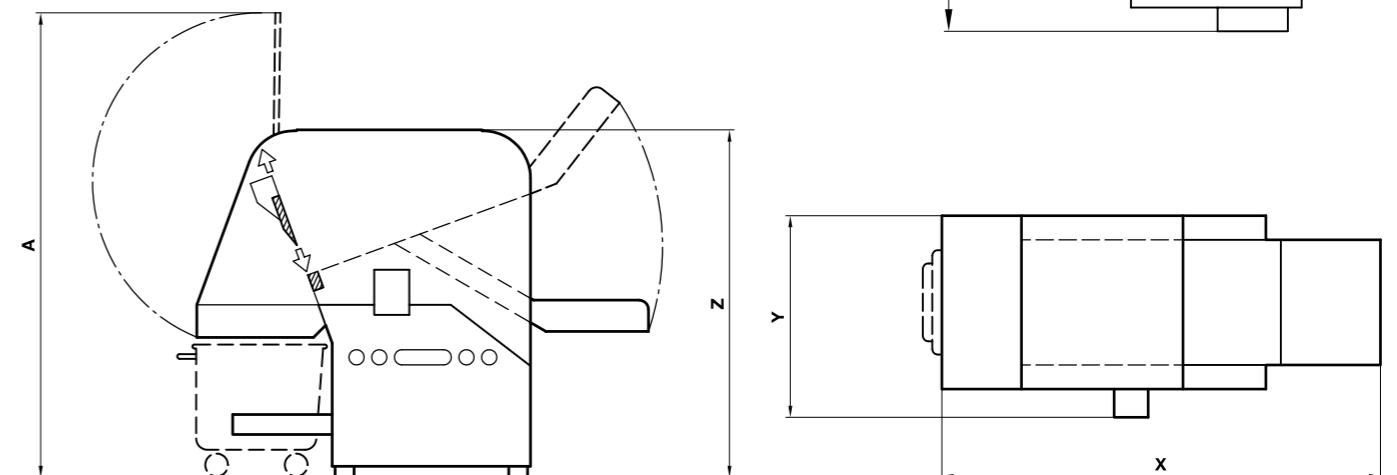
DIMENSIONS AND WEIGHTS

| TYPE | | GS 510 | GFS 620 | G 530 | G 740 |
|--------------------|--|--------|---------|-------|-------|
| Length mm X | | 1580 | 2020 | 2400 | 2700 |
| Width mm Y | | 1620 | 1900 | 1100 | 1350 |
| Height mm Z | | 2050 | 2150 | 1860 | 2200 |
| Max. height mm A | | 2470 | 2350 | 2470 | – |
| Weight kg | | 1360 | 1500 | 1000 | 2600 |

SEAWORTHY CASE*

| | | | | |
|-----------|------|------|------|------|
| Length mm | 1930 | 2330 | 2550 | 3020 |
| Width mm | 1900 | 2200 | 1350 | 1720 |
| Height mm | 1610 | 1710 | 2150 | 2360 |
| Weight kg | 260 | 400 | 300 | 420 |

* depending on type of transport



TRADITION & INNOVATION

MORE THAN 130 YEARS OF EXPERIENCE



We have more than 130 years experience of supporting our customers in the production of first-class food.

LASKA develops and manufactures high-quality specialist machinery that has always enjoyed a reputation for durability and reliability. Our experts work with our customers to develop innovative solutions for the finest meat-processing systems. Our robust and capable machines have proven their worth in a range of other application areas as well.

LASKA is a family company with a global reach; our customers are using our machines successfully in more than 140 countries on every continent in the world.

OUR PRODUCT RANGE:

- Cutters
- Grinders
- Frozen meat cutters
- Emulsifiers
- Mixers
- Production lines



Maschinenfabrik LASKA Gesellschaft m.b.H.

Makartstraße 60, 4050 Traun – Austria

P +43 7229 / 606-0

F +43 7229 / 606-400

laska@laska.at

www.laska.at

DEALER/PARTNER

